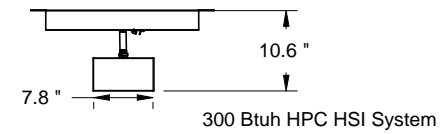
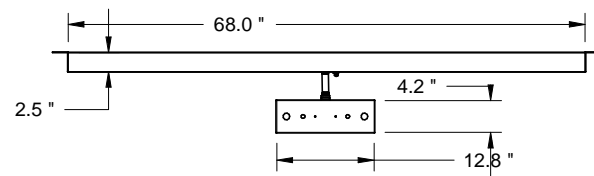
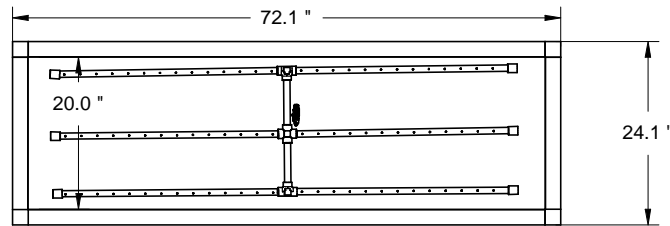
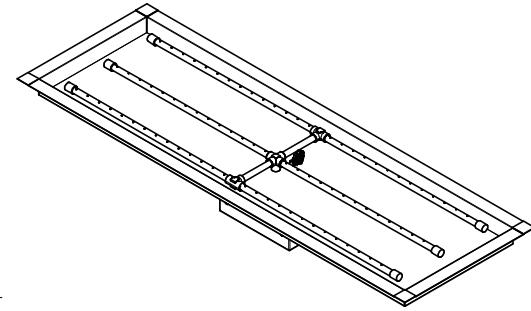



REVISIONS				
ZONE	REV	DESCRIPTION	DATE	APPROVED



Materials Pan, Burner, and Valve box are 304 Stainless Steel Do not exceed 1/2 psi Gas Inlet Pressure	DRAWN	DATE	 Hearth Products Controls Co Superior Commercial Services			
	Tom Hapner	12/16/08				
	CHECKED		SIZE	FSCM NO.	DWG NO.	REV
	QA		A		Prelim	
	MFG		SCALE		SHEET	
	APPROVED					

