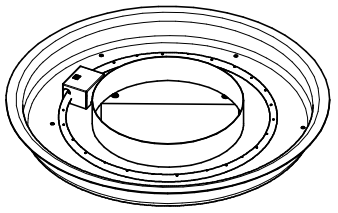
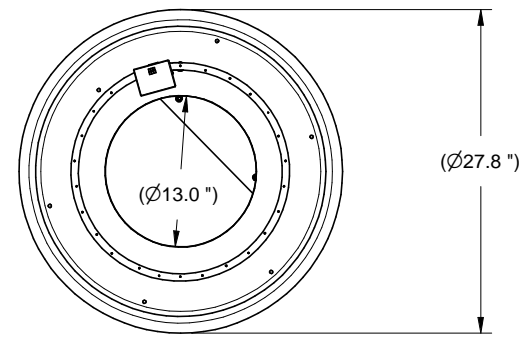
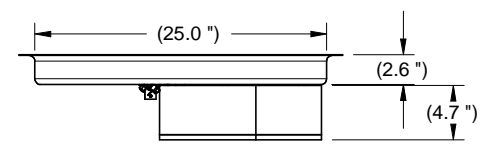



REVISIONS				
ZONE	REV	DESCRIPTION	DATE	APPROVED



Material
304 Stainless Steel



	DRAWN Tom Hapner	DATE 12/08/08	 Hearth Products Controls Co			
	CHECKED					
	QA		SIZE A	FSCM NO.	DWG NO. Prelim	REV
	MFG		SCALE		SHEET	
	APPROVED					