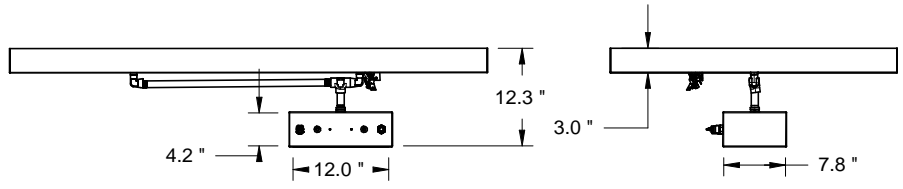
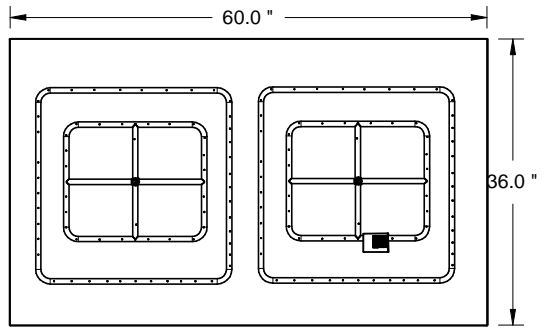



REVISIONS				
ZONE	REV	DESCRIPTION	DATE	APPROVED



<b>Materials</b> Pan, Burner, and Valve Box are 304 Stainless Steel	DRAWN	DATE	 <b>Hearth Products Controls Co</b>		
	CHECKED				
<b>Commercial Feature</b> GAS INLET NOT TO EXCEED 2 PSI	QA		<b>Millers Court Fire Pit</b> <small>Marks-Thomas Architects</small>		
	MFG				
	APPROVED		SCALE		SHEET