



Hearth Products Controls Co
706 Congress Park Dr
Dayton, OH 45459

www.hearthproductscontrols.com
Toll Free: (877) 585-9800 Fax: (877) 433-0704

RCK-KP **Fireplace Remote Control**



Installation and Operation Instructions

INSTALLER: Please leave these instructions with the consumer.

CONSUMER: Please retain instructions for future reference.

The RCK-KP Programmable Remote Control is designed for use with gas fireplace and stoves using a millivolt valve.

The RCK-KP is a six-button transmitter, which is used as a programmable thermostat to turn the gas on and off. The display of the transmitter shows the clock, current room temperature, and the low battery indicator.

Installation Precautions

We highly recommend that our products be installed and serviced by professionals who are certified in the U.S. by NFI (National Fireplace Institute) or in Canada by WETT (Wood Energy Technical Training).

Read and understand these instructions before starting assembly and installation of this product. Failing to follow these instructions may void warranty. Installations must be done in accordance with local codes.

FCC Requirements

WARNING: Changes or modifications to this unit not expressly approved by the party responsible for compliance could void the user authority to operate the equipment. This equipment has been tested and found to comply with the limits for a Class B digital device, pursuant to Part 15 to the FCC Rules. These limits are designed to provide reasonable protection against harmful interference in a residential installation. This equipment generates, uses, and can radiate radio frequency (RF) energy and, if not installed and used in accordance with these instructions, may cause interference to radio communications. However, there is no guarantee that interference will not occur in a particular installation.

If this equipment does cause interference to radio or television reception, which can be determined by turning the equipment off and on, the user is encouraged to try to correct the interference by one or more of the following:

- Reorient or relocate the receiver antenna.
- Increase separation between equipment and receiver.
- Connect the equipment on an outlet on a circuit different from that to which the receiver is connected.
- Consult the dealer or an experienced radio/TV technician for assistance.

Canadian Equipment Requirements

This digital apparatus does not exceed the limits (Class A, Class B) for radio noise emissions from a digital apparatus set out in the Radio Interference Regulations of the Canadian Department of Communications.

This device complies with RSS-210 of Industry and Science Canada. Operation is subject to the following two conditions:

- 1) This device may not cause noise interference.
- 2) This device must accept any interference, including interference that may cause undesired operation of the device.

All wiring should be done by a qualified electrician and shall be in compliance with local codes and with the National Electric Code ANSI / NFPA No 70- current (in the United States) or with current CSA C22.1 Canadian Electric Code (in Canada).

Installation Instructions

Fireplace Installation:

- 1) Secure the fireplace mounting plate to the floor of the fireplace by using the adhesive on bottom of mounting plate or 2 self-drilling screws provided as shown in Figure 1.
- 2) Slide the Remote Receiver into the fireplace mounting plate as shown in Figure 1.
- 3) Slide the battery compartment into the Remote Receiver as shown in Figure 2.
- 4) Place the switch cap on the slide switch.
- 5) Feed both wires from the Remote Receiver through hole in the backside of Heat Shield. Place Heat Shield over Remote Receiver leaving front exposed. Heat Shield will prevent Remote Receiver from overheating.
- 6) See "Wiring the Remote Receiver" to complete wiring.

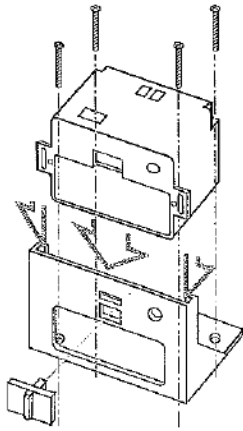


Figure 1

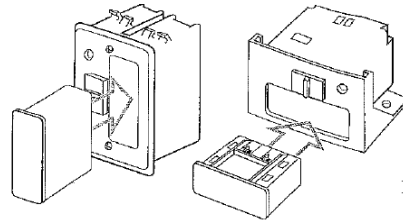


Figure 2

Wall Mount Installation:

- 1) Secure the Remote Receiver to the wall receptacle as shown in Figure 3.
- 2) Secure faceplate to the Remote Receiver using 2 screws provided as shown in Figure 3.
- 3) See "Wiring the Remote Receiver" to complete wiring.

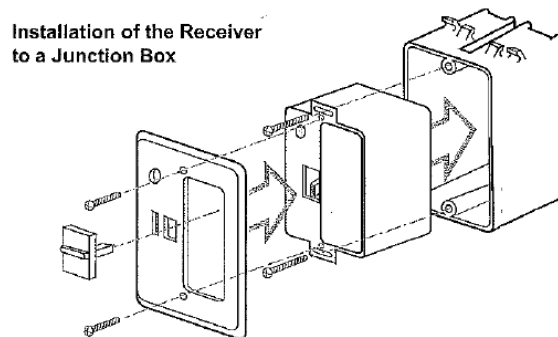


Figure 3

Wiring the Remote Receiver:

- 1) Confirm the slide switch on the Remote Receiver is in the OFF position.
- 2) Connect the leads from the Remote Receiver to the millivolt valve as shown in Figure 4.
- 3) If optional Emergency Switch used, connect leads from the Remote Receiver to the millivolt valve as shown in Figure 5.
- 4) Slide the battery compartment into the Remote Receiver.
- 5) Place the switch cap on the slide switch.

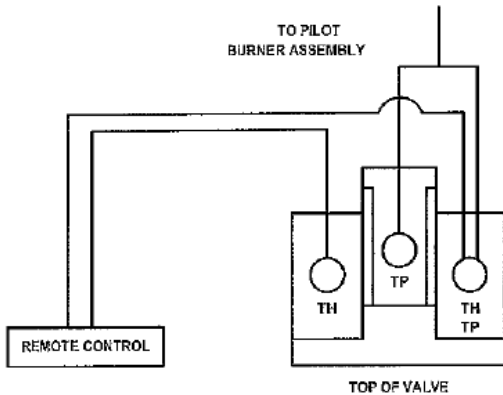


Figure 4

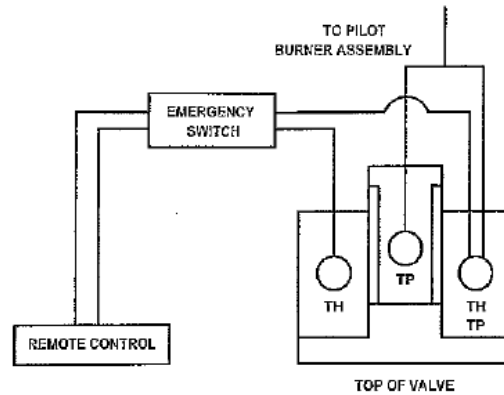


Figure 5

IMPORTANT: A private code may be set into your system to prevent accidental operation by another transmitter nearby. See the Coding Instructions section on the Page 6.

Batteries- Installing / Changing

IMPORTANT: The batteries must be placed in the Remote Receiver first, then in handheld Remote as follows. Use fresh alkaline batteries only.

- 1) Move the slide switch on the Remote Receiver to the OFF position.
- 2) Press the battery compartment slightly and then release, compartment will pop out as shown in Figure 6.
- 3) Slide open the battery door and remove batteries. Wait for 1 minute, and then install 4 new AA-size batteries.
- 4) Replace the battery door and slide battery compartment back into Remote Receiver.
- 5) Handheld Remote- Remove cover and batteries, Wait for 1 minute, and then install 3 new AAA-size batteries.
- 6) An audible beep from handheld Remote will be heard. Reading LCD display, press Enter to select YES for "Set Code", and then press Enter again. An audible beep from Remote Receiver will be heard.
- 7) Continue with reprogramming handheld Remote by following instructions on LCD or as explained in the "Initial Handheld Remote Programming" section.

NOTE: The batteries in the Handheld Remote should be changed 1 x 6 months or when the Low Battery indicator (on LCD display) is ON. The Handheld Remote will switch Off the fireplace when the batteries are too low.

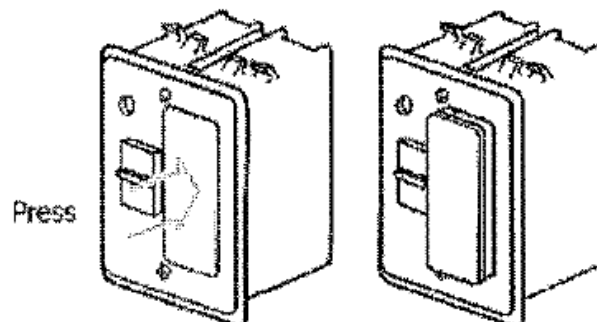


Figure 6

Operation Instructions

Remote Receiver Operation

The Remote Receiver has 2 operation modes- they are **REMOTE** and **ON**.

ON Mode: This will turn ON the fireplace. The Remote Receiver will NOT respond to the handheld Remote commands.

REMOTE Mode: The Remote Receiver will respond to the handheld Remote commands.

Handheld Remote (transmitter) Operation

Key Functions:

- 1) **Up / Down Arrow Keys:** Used to adjust temperature and adjust program settings.
- 2) **PROG INT. Key:** Used for programming thermostat on handheld Remote.
- 3) **MANUAL ON/OFF Key:** Used to activate MANUAL mode to control temperature or as a simple on/off control for fireplace.
- 4) **PROG. ON/OFF Key:** Used to turn PROGRAM mode on / off.

NOTE: The Handheld Remote utilizes a power saving mode when you are “Away” or “Asleep” that turns Off the LCD display to extend battery life. Pressing any key will activate the LCD screen.

Initial Handheld Remote Programming (after battery installation / change):

- 1) **Set Code:** Select YES by pressing ENTER, and then press ENTER again.
- 2) **Set Clock:** Use Up / Down Arrow keys and ENTER key to adjust day of week and time.
- 3) **Temperature In:** Select Fahrenheit (F) or Celsius (C).

Programming the Thermostat on Handheld Remote:

The RCK-KP can be programmed to automatically adjust room temperature at a specified time. Both weekday and weekend times may be set as follows:

- 1) Press the PROG INT. key.
- 2) Adjust Clock? Select No and press the ENTER key.
- 3) Go On Vacation? Select No and press the ENTER key.
- 4) Modify Program? Select Yes and press the ENTER key.
- 5) Weekday Times: Following LCD display prompts, set the Weekday “wake up”, “go to work”, “return home at”, and “go to sleep” times by using the Up / Down Arrow keys then pressing ENTER.
- 6) Weekend Times: Following LCD display prompts set the Weekend “wake up” and “go to sleep” times by using the Up / Down Arrow keys then pressing ENTER.
- 7) Home / Away Temperatures: Following LCD display prompts enter the “Temp. when you are at home” and “Temp. when your are away” temperatures by using the Up / Down Arrow keys then pressing ENTER.
- 8) The program will automatically turn ON after you finish programming the thermostat

Operation Modes:

The handheld Remote also has 2 modes of operation- they are:

MANUAL or PROGRAM.

1) Manual Mode

This mode may be used 2 ways: As a thermostat (automatic) control of room temperature or as a simple on/off control of the fireplace.

A) Thermostat Control:

- 1) MANUAL mode can only be activated if the PROGRAM mode is Off. If On, press PROG ON/OFF key once to turn Off.
- 2) Press the MAN ON/OFF key once to activate the Manual mode.
- 3) Use the Up / Down Arrow keys to adjust the set temperature.

- 4) The Handheld Remote will automatically turn On fireplace when the room temperature is below the set temperature and turn Off when above setting.
- 5) Press the MAN ON/OFF key to turn Off Manual mode.

B) Simple On/Off Control:

- 1) Repeat Steps 1 & 2 above.
- 2) Use the Up / Down Arrow keys to adjust the set temperature to the maximum setting of 90 deg. F or 32 deg. C.
- 3) Press MAN ON/OFF to turn fireplace On and Off.

2) Program Mode

This mode can automatically adjust room temperature at a specified time.

- 1) PROGRAM mode can only be activated if the MANUAL mode is Off. If On, Press MAN ON/OFF key once to turn Off.
- 2) Press the PROG ON/OFF key once to activate the Program mode.
- 3) The Handheld Remote Control will automatically adjust the temperature when you are at home, away, or sleep according to the program.
- 4) Press the PROG ON/OFF key once to turn off the Program mode.

IMPORTANT: When the Program mode is On, the Up/Down Arrow keys may be used to temporarily adjust temperature without modifying program (PROG INT), however the program will override this temporary setting when the next programmed time/temperature.

Additional Programming Options:

Vacation Override

In the Vacation Override mode, the Handheld Remote will maintain temperature at the “away temperature” setting. This can be activated to save energy while you are away. The steps are as follows:

- 1) You can only activate the Vacation Override only when the Program mode is On.
- 2) Press the PROG INT key once.
- 3) Adjust Clock? Select No and press the ENTER key.
- 4) Go On Vacation? Select Yes and press the ENTER key.
- 5) Enter number of days to be gone using Up /Down Arrow keys, and then press ENTER to activate.
- 6) To cancel Vacation Override, press the PROG INT key once, and then use the Up/Down Arrow keys to select Yes, press ENTER.

Child Proof Function

When set to the Child Proof function, the Handheld Remote will continue to operate the fireplace however the buttons will not be operable until function is removed. To activate this function, follow steps listed below.

- 1) Remove battery cover from Handheld Remote.
- 2) Slide the CHILD PROOF switch to the “CP” position to activate the Child Proof function as shown in Figure 7. “CP” will appear on the LCD screen.
- 3) To temporarily restore operation of buttons, press the Up/Down Arrow keys as follows: Up-Down-Down-Up-Down. “CP” will disappear from the LCD screen.
- 4) If no button is pressed for 2 minutes, the Handheld Remote will return to the Child Proof function.
- 5) To permanently remove Child Proof function, slide the Child Proof switch back to other position.

Coding Instructions

There are code switches in the back of the Handheld Remote that may be changed if Receiver is accidentally turned on by another transmitter. The

factory setting is all in the Off position. You may slide the code switched to your choice of On or Off positions. See Figure 7.

- 1) Set the code switches to your preferred setting.
- 2) Confirm the Remote Receiver is in the REMOTE position.
- 3) Install fresh AAA batteries in the Handheld Remote as explained in the Install/Change Batteries section.
- 4) Press the PROG INT key once and select YES to Set Code.
- 5) Press the ENTER button. The Remote Receiver will emit an audible beep when code is accepted.
- 6) If an audible beep is not heard, remove the batteries from the Handheld Remote and move the slide switch to the Off position for 1 minute. Then repeat steps 2, 3, 4, & 5.
- 7) If desire to operate multiple Remote Receivers with one Handheld Remote, continue to hold the ENTER key as your bring the Handheld Remote within 5 feet of each Remote Receiver. Each will acknowledge receipt of coding with audible beep.

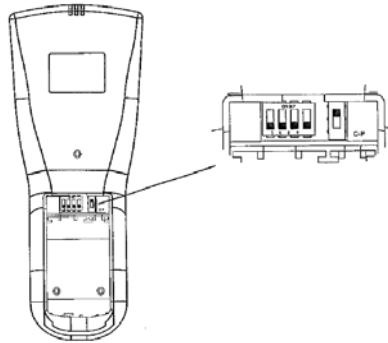


Figure 7

RCK-KP TROUBLESHOOTING CHART

<u>Symptom</u>	<u>Possible Cause / Solution</u>
Temperature setting does not stay- changes periodically.	- Program is On- turn Off with PROG ON/OFF key. Use Manual mode to hold temperature at a constant setting with MANUAL ON/OFF key.
LCD has no display.	- Batteries may be low in Handheld Remote- change batteries. - Confirm batteries are installed correctly in Handheld Remote.
Receiver does not Turn on fireplace.	- Confirm fresh batteries in Receiver. - Confirm Receiver cables have good connection to valve.
Receiver does not respond to Handheld Remote.	- Confirm Receiver is in the "Remote" position. - Confirm Receiver beeps after accepting code (See Pg. 5).
Handheld Remote will not turn Off fireplace.	- Batteries may be low in Handheld Remote- change batteries. - Check temperature of Receiver- must be below 140 deg F. Install heat shield if necessary. - Reduce distance between Handheld Remote and Receiver (max. is 20 feet).
Receiver does not learn handheld Remote coding.	- Repeat steps on Pg. 5 under "Coding Instructions".
Receiver turns off automatically.	- The Receiver will turn off automatically if rises above 150 deg. F. - Check temperature of Receiver- must be below 140 deg F. Install heat shield if necessary.
Receiver turns On unexpectedly.	- Confirm Handheld Remote is Off - Change code switch on Handheld Remote (see Pg. 5).