

**RCK-B Acumen Model B
Fireplace Remote Control
Installation and Operation Instructions**

The Acumen Model B Remote control is designed for use with decorative gas logs, gas fireplaces and wall heaters. The Model B Transmitter is a hand held transmitter which turns the gas on/off.

Installation Precautions:

The Model B Remote Control is tested safe when installed in accordance with this installation manual. It is your responsibility to read all instructions before starting installation and to follow these instructions carefully during installation. The Model B Remote Control **MUST** be installed by a qualified service technician. The Model B Remote Control is carefully engineered and **MUST** be installed only as specified. If you modify it or any of its components, you may possibly cause a fire hazard.

FCC Requirements

Warning: Changes or modifications to this unit not expressly approved by the party responsible for compliance could void the user's authority to operate the equipment. This equipment has been tested and found to comply with the limits for a Class B digital device, pursuant to Part 15 of the FCC Rules. These limits are designed to provide reasonable protection against harmful interference in a residential installation. This equipment generates, uses and can radiate radio frequency energy and if not installed and used in accordance with the instructions, may cause harmful interference to radio communications. However, there is no guarantee that interference will not occur in a particular installation. If this equipment does cause harmful interference to radio or television reception, which can be determined by turning the equipment off and on, the user is encouraged to try to correct the interference by one or more of the following measures:

- Reorient or relocate the receiver antenna.
- Increase the separation between the equipment and receiver.
- Connect the equipment into an outlet on a circuit different from that to which the receiver is connected.
- Consult the dealer or an experienced radio TV technician for help.

INSTALLATION INSTRUCTIONS

WARNING: TURN ELECTRICAL POWER OFF AT THE CIRCUIT BREAKER BEFORE BEGINNING THIS INSTALLATION.

Installing Receiver

Be Certain not to install the batteries into the Remote Transmitter until Step 4 is complete

1. Connect the 110AC electrical service wires to the junction box of the fireplace.
2. Place the receiver onto the base pan of the fireplace.
3. Be sure leads from thermopile on pilot burner assembly are connected to TH/TP and TP terminals of valve. Then connect leads from receiver to TH/TP and TH terminals on valve. See Figure 1.

Note: If your fireplace is equipped with a manual on/off switch to allow it to operate during a power failure, be sure it is in the "OFF" position when using the remote control.

4. Plug the black cord of the receiver into the outlet
5. To prevent the Remote Receiver from overheating, put the insulated Heat-Shield over the Remote Receiver.
6. Turn the electrical power "ON" at the circuit breaker.
7. Follow the lighting instruction section in the fireplace instruction manual. Be certain that the pilot light is on and the gas control valve is in the "ON" position.

Important: The Receiver **MUST be plugged in before you insert the batteries into the Remote Control**

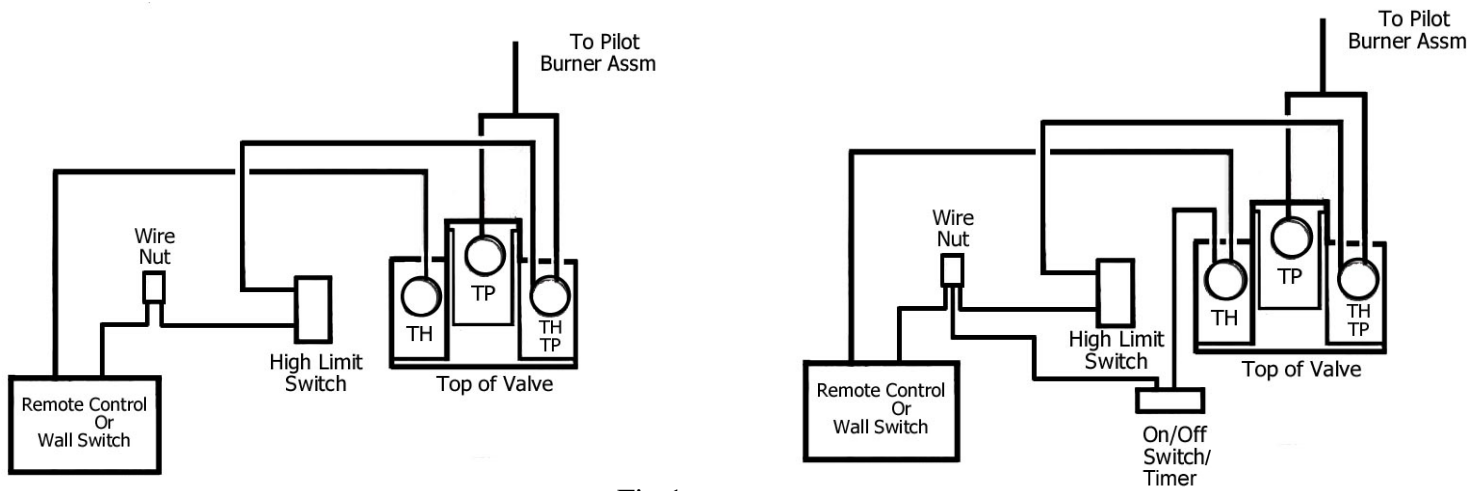


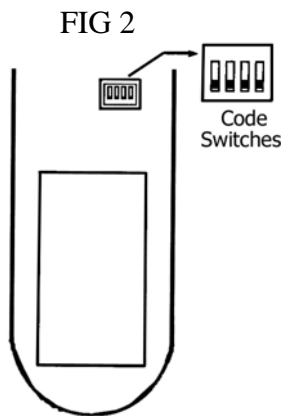
Fig 1

Batteries

1. Remove battery cover on back of transmitter. **Put in the 3 AAA alkaline batteries (provided). Replace cover, after this you will notice the room temperature flashing on the Transmitter, push the on button and you will hear an audible beep from the receiver. If you don't hear the beep, repeat this process.** Replace these batteries every 6 months or when the low battery indicator is on. Use only fresh alkaline batteries.
2. When replacing batteries, be sure to wait at least 1 minute before putting in new batteries

IMPORTANT SAFETY FEATURE

You can set a private code into your system to prevent accidental operation by any other transmitter nearby.
See Figure 2



Coding Instructions

1. Remove the cover on the back of the Remote Transmitter and expose the code switches. Slide the code switches to your choice of ON or OFF. Factory setting is all "OFF".
2. The receiver and the transmitter are self-matching units. If you experience any interference you should change the coding on the transmitter (inside the battery compartment). There are four Dip Switches that can be set anyway you choose. First remove all batteries in the transmitter then reset the switches. Simply press the On button and the unit will automatically adjust itself to the coding in the transmitter.

Operation Instructions:

Flame On/Off

1. The On/Off button on the Remote Transmitter turns the fireplace on and off.
2. Depress the button once to turn on the fireplace. Depressing the button again will turn the fireplace off.

Child Proof Function

1. Remove the cover on the back of the Remote Transmitter to expose the Child-Proof Switch.
2. Slide the Child-Proof switch to positions marked C/P to activate the Child-Proof function. "Child Proof" will appear on the LCD.
3. In Child-Proof the Remote Transmitter will work normally except the buttons will be inoperable.
4. Slide the Child-Proof switch back to the (up) position to restore transmitter button function