



**Hearth Products Controls Co**  
**706 Congress Park Dr**  
**Dayton, OH 45459**

www.hearthproductscontrols.com  
 Toll Free: (877) 585-9800 Fax: (877) 433-0704

## **RCK-K Series** **(RCK-K, RCK-KS, and RCK-KW Models)** **Fireplace Remote Control**



### **Installation and Operation Instructions**

**Notes:** **RCK-KS:** Does not include heat shield; **RCK-KW:** Includes white face plate.

**INSTALLER:** Please leave these instructions with the consumer.

**CONSUMER:** Please retain instructions for future reference.

The RCK-K Remote Control is designed for use with gas fireplace and stoves using a millivolt valve.

The RCK-K is a four-button transmitter, which is used as a thermostat to turn the gas on and off. The display of the transmitter shows the clock, current room temperature, set temperature, and the low battery indicator.

#### **Installation Precautions**

**We highly recommend that our products be installed and serviced by professionals who are certified in the U.S. by NFI (National Fireplace Institute) or in Canada by WETT (Wood Energy Technical Training).**

**Read and understand these instructions before starting assembly and installation of this product. Failing to follow these instructions may void warranty. Installations must be done in accordance with local codes.**

#### **FCC Requirements**

**WARNING:** Changes or modifications to this unit not expressly approved by the party responsible for compliance could void the user authority to operate the equipment. This equipment has been tested and found to comply with the limits for a Class B digital device, pursuant to Part 15 to the FCC Rules. These limits are designed to provide reasonable protection against harmful interference in a residential installation. This equipment generates, uses, and can radiate radio frequency (RF) energy and, if not installed and used in accordance with these instructions, may cause interference to radio communications. However, there is no guarantee that interference will not occur in a particular installation.

If this equipment does cause interference to radio or television reception, which can be determined by turning the equipment off and on, the user is encouraged to try to correct the interference by one or more of the following:

- Reorient or relocate the receiver antenna.
- Increase separation between equipment and receiver.
- Connect the equipment on an outlet on a circuit different from that to which the receiver is connected.
- Consult the dealer or an experienced radio/TV technician for assistance.

This digital apparatus does not exceed the limits (Class A, Class B) for radio noise emissions from a digital apparatus set out in the Radio Interference Regulations of the Canadian Department of Communications.

This device complies with RSS-210 of Industry and Science Canada. Operation is subject to the following two conditions:

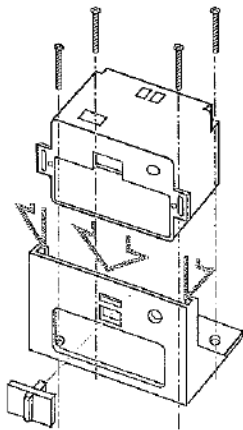
- 1) This device may not cause noise interference.
- 2) This device must accept any interference, including interference that may cause undesired operation of the device.

All wiring should be done by a qualified electrician and shall be in compliance with local codes and with the National Electric Code ANSI / NFPA No 70- current (in the United States) or with current CSA C22.1 Canadian Electric Code (in Canada).

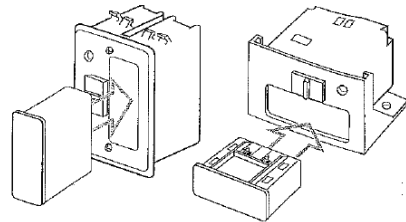
## **Installation Instructions**

### **Fireplace Installation:**

- 1) Secure the fireplace mounting plate to the floor of the fireplace by using the adhesive on bottom of mounting plate or 2 self-drilling screws provided as shown in Figure 1.
- 2) Slide the Remote Receiver into the fireplace mounting plate as shown in Figure 1.
- 3) Slide the battery compartment into the Remote Receiver as shown in Figure 2.
- 4) Place the switch cap on the slide switch.
- 5) Feed both wires from the Remote Receiver through hole in the backside of Heat Shield. Place Heat Shield over Remote Receiver leaving front exposed. Heat Shield will prevent Remote Receiver from overheating.
- 6) See "Wiring the Remote Receiver" to complete wiring.



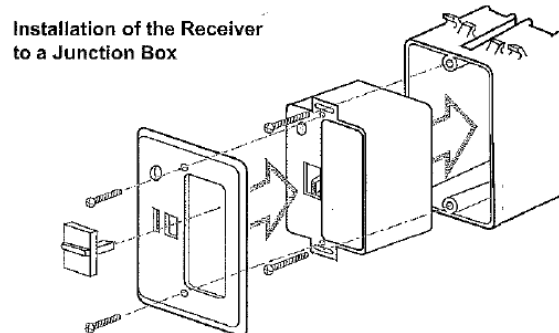
**Figure 1**



**Figure 2**

### **Wall Mount Installation:**

- 1) Secure the Remote Receiver to the wall receptacle as shown in Figure 3.
- 2) Secure faceplate to the Remote Receiver using 2 screws provided as shown in Figure 3.
- 3) See "Wiring the Remote Receiver" to complete wiring.



**Figure 3**

### Wiring the Remote Receiver:

- 1) Confirm the slide switch on the Remote Receiver is in the OFF position.
- 2) Connect the leads from the Remote Receiver to the millivolt valve as shown in Figure 4.
- 3) If optional Emergency Switch used, connect leads from the Remote Receiver to the millivolt valve as shown in Figure 5.
- 4) Slide the battery compartment into the Remote Receiver.
- 5) Place the switch cap on the slide switch.

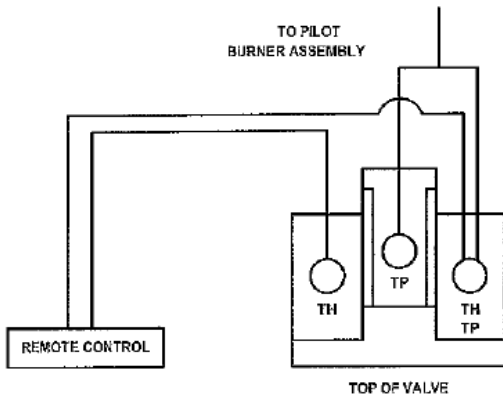


Figure 4

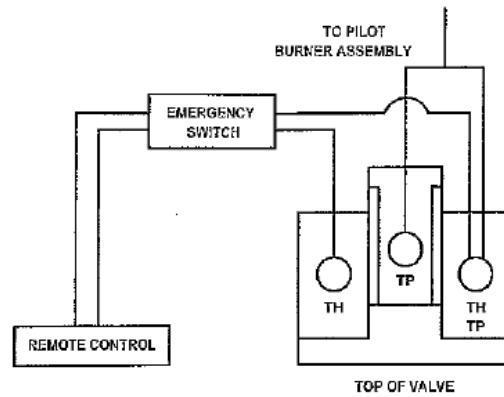


Figure 5

**IMPORTANT:** A private code may be set into your system to prevent accidental operation by another transmitter nearby. See the Coding Instructions section on the Page 5.

### Batteries- Installing / Changing

**IMPORTANT:** The batteries must be placed in the Remote Receiver first, then in handheld Remote as follows. Use fresh alkaline batteries only.

- 1) Move the slide switch on the Remote Receiver to the OFF position.
- 2) Press the battery compartment slightly and then release, compartment will pop out as shown in Figure 6.
- 3) Slide open the battery door and remove batteries. Wait for 1 minute, and then install 4 new AA-size batteries.
- 4) Replace the battery door and slide battery compartment back into Remote Receiver.
- 5) Move the slide switch on the Remote Receiver to the **REMOTE** position.
- 6) Handheld Remote- Remove cover and batteries, Wait for 1 minute, and then install 3 new AAA-size batteries.
- 7) Press and hold **MANUAL ON/OFF**- an audible beep form Remote Receiver will be heard.

**NOTE:** The batteries in the Handheld Remote should be changed 1 x 6 months or when the Low Battery indicator (on LCD display) is ON. The Handheld Remote will switch Off the fireplace when the batteries are too low.

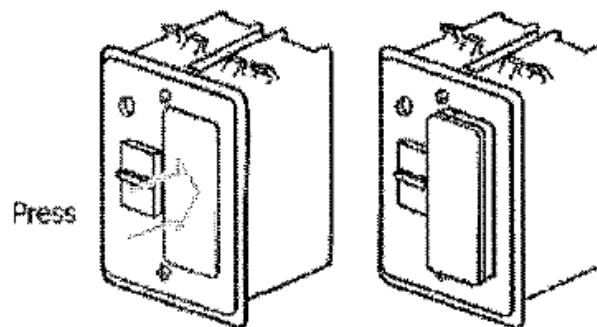


Figure 6

## **Operation Instructions**

### **Remote Receiver Operation**

The Remote Receiver has 2 operation modes- they are **REMOTE** and **ON**.

**ON Mode:** This will turn ON the fireplace. The Remote Receiver will NOT respond to the handheld Remote commands.

**REMOTE Mode:** The Remote Receiver will respond to the handheld Remote commands.

### **Handheld Remote (transmitter) Operation**

#### **Key Functions:**

- 1) **UP & DOWN** Keys: Used to adjust temperature and adjust time settings.
- 2) **TIMER** Key: Used to initiate timer mode on handheld Remote.
- 3) **CLOCK** Key: Used to set the clock and Fahrenheit or Celsius settings.
- 4) **MANUAL ON/OFF** Key: Used to activate MANUAL mode to control temperature or as a simple on/off control for fireplace.
- 5) **AUTO ON/OFF** Key: Used to activate AUTO mode to control temperature.

#### **Initial Handheld Remote Programming** (after battery installation / change):

##### **Time Setting:**

- 1) Press and hold the **CLOCK** key for 5 sec.- time will begin to flash.
- 2) Use **UP & DOWN** keys to set hour; press clock again to set minutes.

##### **Temperature in Fahrenheit or Celsius Setting:**

- 1) Press and hold **CLOCK** key for 5 sec.- time will begin flashing.
- 2) Press **CLOCK** key 2 more times to skip time setting
- 3) Use **UP & DOWN** keys to adjust unit of measure.
- 4) Press **CLOCK** again to complete setting.

#### **Operation Modes:**

The handheld Remote also has 3 modes of operation- they are:

**MANUAL, AUTO, and TIMER** modes

##### **1) Manual Mode**

This mode may be used as a simple on/off control of the fireplace.

- 1) Press MAN ON/OFF to turn fireplace On or Off. The display will indicate "ON" or "OFF".
- 2) The fireplace will turn off automatically after 6 hrs. of uninterrupted operation.

##### **2) Auto Mode**

This mode can automatically adjust room temperature to a desired setting. The Handheld Remote will automatically turn ON the fireplace when temperature is below the set temperature and turn OFF when equal or above set temperature.

- 1) The Manual mode must be OFF to start Auto mode.
- 2) Press the AUTO ON/OFF key to start Auto mode- "Auto" will appear on LCD display.
- 3) Use the UP and DOWN keys to adjust the temperature between 45 deg. and 90 deg. F.
- 4) Press the AUTO ON/OFF key again to exit Auto mode.

### 3) Timer Mode

This mode will allow the fireplace to burn for an amount of time (1 to 120 minutes) then automatically turn OFF.

- 1) Press the "TIMER" key once- the TIMER display "---" will blink.
- 2) Use the UP and DOWN keys to set the desired amount of time to operate fireplace.
- 3) Press the AUTO ON/OFF key to turn ON fireplace.
- 4) The Timer setting can be cancelled at any time by pressing TIMER again.
- 5) The fireplace will turn OFF at the end of the timer setting.

### Child Proof Function

When set to the Child Proof function, the Handheld Remote will continue to operate the fireplace however the buttons will not be operable until function is removed. To activate this function, follow steps listed below.

- 1) Remove battery cover from Handheld Remote.
- 2) Slide the CHILD PROOF switch to the "CP" position to activate the Child Proof function as shown in Figure 7. "Child Proof" will appear on the LCD screen below the room temperature.
- 3) To temporarily restore operation of buttons, press the Up/Down Arrow keys as follows: Up-Down-Down-Up-Down. "CP" will disappear from the LCD screen.
- 4) If no button is pressed for 2 minutes, the Handheld Remote will return to the Child Proof function.
- 5) To permanently remove Child Proof function, slide the Child Proof switch back to other position.

### Coding Instructions

There are code switches in the back of the Handheld Remote that may be changed if Receiver is accidentally turned on by another transmitter. The factory setting is all in the Off position. You may slide the code switched to your choice of On or Off positions. See Figure 7.

- 1) Set the code switches to your preferred setting.
- 2) Confirm the Remote Receiver is in the REMOTE position.
- 3) Install fresh AAA batteries in the Handheld Remote as explained in the Install/Change Batteries section.
- 4) Press and hold the **MANUAL ON/OFF** button. The Remote Receiver will emit an audible beep when code is accepted.
- 5) If an audible beep is not heard, remove the batteries from the Handheld Remote and move the slide switch to the Off position for 1 minute. Then repeat steps 2, 3, & 4.
- 6) If desire to operate multiple Remote Receivers with one Handheld Remote, continue to hold the **MANUAL ON/OFF** key as your bring the Handheld Remote within 5 feet of each Remote Receiver. Each will acknowledge receipt of coding with audible beep.

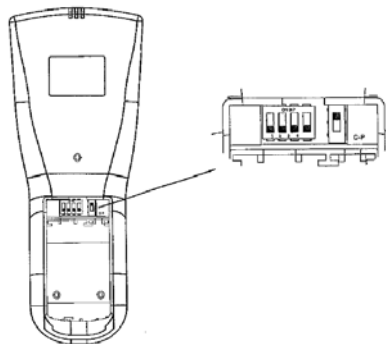


Figure 7

## **RCK–K Series TROUBLESHOOTING CHART**

<b><u>Symptom</u></b>	<b><u>Possible Cause / Solution</u></b>
<b>LCD has no display.</b>	<ul style="list-style-type: none"><li>- Batteries may be low in Handheld Remote- change batteries.</li><li>- Confirm batteries are installed correctly in Handheld Remote.</li></ul>
<b>Receiver does not Turn on fireplace.</b>	<ul style="list-style-type: none"><li>- Confirm fresh batteries in Receiver.</li><li>- Confirm Receiver cables have good connection to valve.</li></ul>
<b>Receiver does not respond to Handheld Remote.</b>	<ul style="list-style-type: none"><li>- Confirm Receiver is in the “Remote” position.</li><li>- Confirm Receiver beeps after accepting code (See Pg. 5).</li></ul>
<b>Handheld Remote will not turn On / Off fireplace.</b>	<ul style="list-style-type: none"><li>- Batteries may be low in Handheld Remote- change batteries.</li><li>- Check temperature of Receiver- must be below 140 deg F. Install heat shield if necessary.</li><li>- Reduce distance between Handheld Remote and Receiver (max. is 20 feet).</li></ul>
<b>Receiver does not learn handheld Remote coding.</b>	<ul style="list-style-type: none"><li>- Repeat steps on Pg. 5 under “Coding Instructions”.</li></ul>
<b>Receiver turns off automatically.</b>	<ul style="list-style-type: none"><li>- The Receiver will turn off automatically if rises above 150 deg. F.</li><li>- Check temperature of Receiver- must be below 140 deg F. Install heat shield if necessary.</li></ul>
<b>Receiver turns On unexpectedly.</b>	<ul style="list-style-type: none"><li>- Confirm Handheld Remote is Off</li><li>- Change code switch on Handheld Remote (see Pg. 5).</li></ul>