

Adjustable Wall Mount Remote

Fireplace Remote Control Operating Instructions For The Homeowner

The Wall Mount Remote Control is designed for use with decorative gas fireplace and wall heaters using a Millivolt gas valve.

BEFORE YOU BEGIN:

Warning: The pilot flame must be lit, with the gas control valve turned to "ON", for the remote to work correctly.

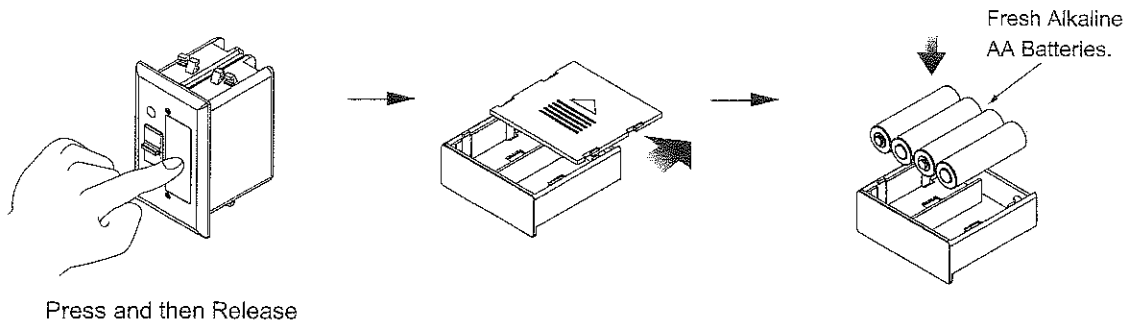
Read all of the safety precautions in the owner's manual included with your fireplace before using this remote control. The thermostat is not intended for unattended use.

INSTALLING FRESH BATTERIES:

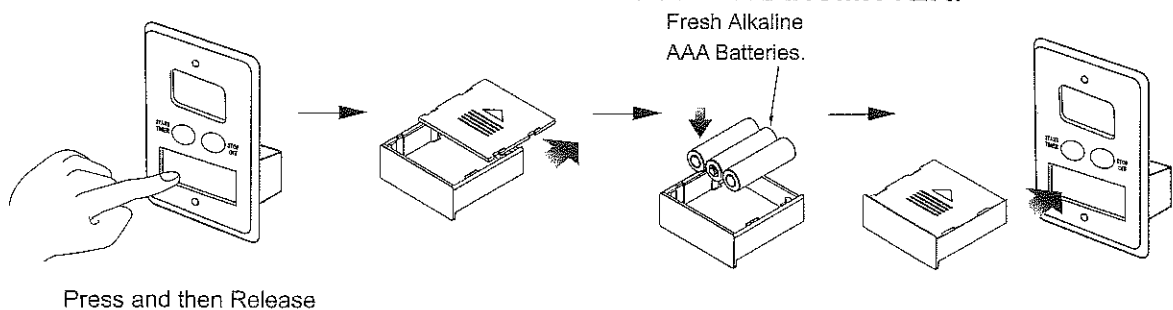
Note: It is not necessary to re-set your private code when installing fresh batteries.

The fireplace **MUST** be OFF before replacing transmitter batteries.

INSTALL BATTERIES INTO THE RECEIVER:



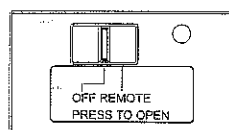
INSTALL BATTERIES INTO THE WALL MOUNT TRANSMITTER:



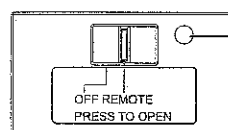
Change Batteries At Least Every 6 Months:

WARNING: THE REMOTE WALL MOUNT TRANSMITTER WILL AUTOMATICALLY SWITCH OFF THE FIREPLACE WHEN THE BATTERIES IN THE REMOTE TRANSMITTER ARE LOW.

RECEIVER OPERATION:



Fireplace Off



Fireplace Controlled by Remote

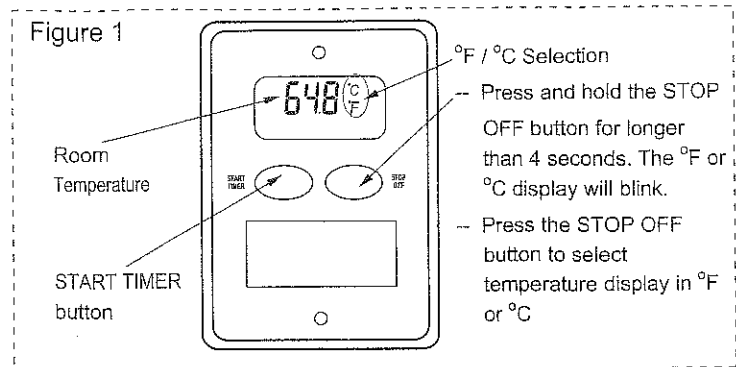
OPERATION INSTRUCTIONS

WALL MOUNT TRANSMITTER OPERATION:

A. Flame On/Off (see figure 1)

1. Press the START TIMER button once to start the setting timer and turn on the fireplace.
2. Press the STOP OFF button once or at the end of the Timer Setting to turn off the fireplace.

WARNING: IT TAKES SOME TIME FOR THE RECEIVER TO RESPOND TO THE WALL MOUNT TRANSMITTER. DO NOT PRESS THE BUTTONS MORE THAN ONCE WITH 2 SECONDS FOR CORRECT OPERATION.



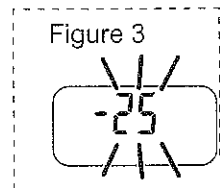
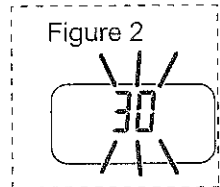
B. Setting: (see figure 1)

---°F/°C Selection

1. press and hold the "STOP OFF" button for 4 seconds, the °F/°C display will blink.
2. press the "STOP OFF" button to select temperature display in °F/°C .
3. press and hold the "STOP OFF" button for 4 seconds to exit setting.

C. Timer setting

1. Press the START/ TIMER button once enter a "Count-Down" Timer setting. The "Count down" timer has replaced the "Room Temperature" display. The default is 30 minutes (blinking). Range: 30, 60, 90 or 120 minutes. (see figure 2), Press the START/ TIMER button again to select the desired value.
2. Press START/ TIMER to review the left of time in "Count-Down" timer after activated, for example, "-25" means (blinking) the fireplace will run more 25 minutes. (see figure 3)
3. If you want to reset the "Count-Down" Timer after activated, you need to press STOP/ OFF button once to turn off the fire place, then repeat step 1.
4. After the "Count down" timer has reached zero, it will automatically switch off the fireplace.



CODING INSTRUCTIONS: (see figure 5)

1. Slide the code switches to your choice of ON or OFF positions. FACTORY SETTING IS ALL "OFF". (see figure 4)
2. Make sure the slide switch on the remote Receiver is at OFF position.
3. Take the Remote Wall Mount Transmitter close to the fireplace or the Remote Receiver (2-10 feet from the fireplace or Remote Receiver is recommended.)
4. Slide the slide switch on the Remote Receiver to REMOTE position.
5. Install fresh AAA alkaline batteries into the Remote Transmitter.
6. Press any button on the Remote Wall Mount Transmitter. The Remote Receiver will produce a 'beep' sound when it receives the code from the Remote Transmitter.
7. If you do not hear a 'beep' sound from the Remote Receiver, removes batteries from the Remote Wall Mount Transmitter and slide the slide switch on the remote receiver to OFF position, Wait for 1 minute, and repeat step 3 to 6.
8. ~~Replace the cover of the Receiver. The system is now ready to operate.~~
9. ~~If you desire to operate multiple Remote Receivers with the one Remote Wall Mount Transmitter, continue to hold the button on the Remote Wall Mount Transmitter as you bring the Remote Wall Mount Transmitter within 2-10 feet of each Remote Receiver then slide the slide switch on the Remote Receivers to REMOTE position. Each will acknowledge receipt of coding with a beep.~~

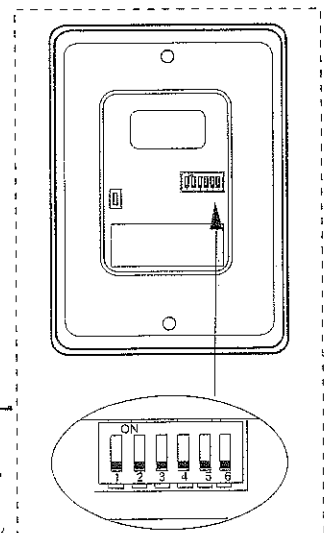


Figure 4

7. In order to prevent the Remote Receiver (fireplace installation only) from overheating, put a heat shield (option item) above the Remote Receiver. See *Figure 6*.

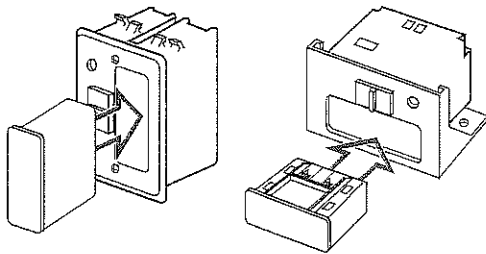


Figure 5

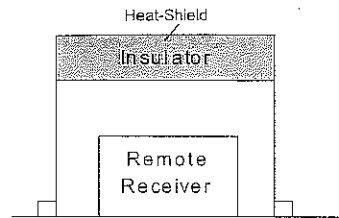


Figure 6

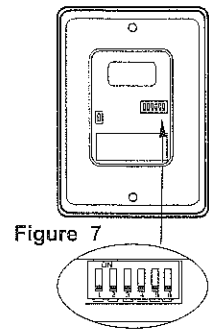


Figure 7

IMPORTANT SAFETY FEATURE:

You can set a private code into your system to prevent accidental operation by another transmitter nearby. See *Figure 7*.

Coding Instructions:

1. Slide the code switches to your choice of ON or OFF positions. FACTORY SETTING IS ALL "OFF".
2. Make sure the slide switch on the Remote Receiver is at OFF position.
3. Keep the Remote wall mount Transmitter and the Remote Receiver within 2-10 feet.
4. Slide the slide switch on the Remote Receiver to REMOTE position.
5. Install fresh AAA alkaline batteries into the Remote wall mount Transmitter.
6. Press any button on the Remote wall mount Transmitter, the Remote Receiver will produce a 'beep' sound when it receives the code from the Remote wall mount Transmitter.
7. If you do not hear a 'beep' sound from the Remote Receiver, remove the batteries from the Remote wall mount Transmitter and slide the slide switch on the remote receiver to OFF position, Wait for 1 minute, and repeat step 2 to 6.
8. Replace the cover of the Remote wall mount Transmitter and the Receiver. The system is now ready to operate.

FCC Requirements

Warning : Changes or modifications to this unit not expressly approved by the party responsible for compliance could void the user authority to operate the equipment. This equipment has been tested and found to comply with the limits for a Class B digital device, pursuant to Part 15 to the FCC Rules. These limits are designed to provide reasonable protection against harmful interference in a residential installation. This equipment generates, uses, and can radiate radio frequency energy and, if not installed and used in accordance with the instructions, may cause harmful interference to radio communications. However, there is no guarantee that interference will not occur in a particular installation. If this equipment does cause harmful interference to radio or television reception, which can be determined by turning the equipment off and on, the user is encouraged to try to correct the interference by one or more of the following measures:

- Reorient or relocate the receiver antenna.
- Increase the separation between the equipment and receiver.
- Connect the equipment into an outlet on a circuit different from that to which the receiver is connected.
- Consult the dealer or an experienced radio TV technician for help.

Canadian Equipment Requirements

This digital apparatus does not exceed the (class A/Class B)* limits for radio noise emissions from digital apparatus set out in the Radio Interference Regulations of the Canadian Department of Communications. Le présent appareil numérique n'émet pas de bruits radioélectriques dépassant les limites applicables aux appareils numériques (de la class A/de la class B)* prescrites dans le Règlement sur le brouillage radioélectrique édicté par le ministère des Communications du Canada.

This device complies with RSS-210 of Industry and Science Canada. Operation is subject to the following two conditions: (1) this device may not cause interference, and (2) this device must accept any interference, including interference that may cause undesired operation of the device.

All wiring should be done by a qualified electrician and shall be in compliance with local codes and with the National Electric Code ANSI/NFPA No. 70-current (In the United States), or with the current CSA C22.1 Canadian Electric Code (in Canada).

Adjustable Wall Mount Remote

Fireplace Remote Control Installation Instructions

PLEASE LEAVE THE INSTRUCTIONS TO THE HOMEOWNER.

The Wall Mount Remote Control is designed for use with decorative gas fireplace and wall heaters using a millivolt gas valve.

The Wall Mount Transmitter is a Two-button hand held transmitter, which turns the gas on/off. The display of the transmitter shows the current room temperature, low battery indicator.

Installation Precautions:

The Wall Mount Remote Control is tested safe when installed in accordance with this installation manual. It is your responsibility to read all instructions before starting installation and to follow these instructions carefully during installation.

The Wall Mount Remote Control **MUST** be installed by a qualified service technician.

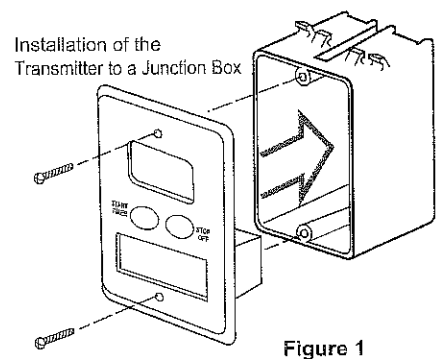
The Wall Mount Remote Control is carefully engineered and **MUST** be installed only as specified. If you modify it or any of its components, you may possibly cause a fire hazard.

Installation Instruction

Installing the Wall Mount Transmitter

Install the wall mount transmitter into a wall junction box

- Secure the wall mount transmitter to the wall mount.
- Use the screws provided to secure the face Plate to the wall mount transmitter. See *Figure 1*.



Installing the Receiver

1. Make sure the slide switch on the Remote Receiver is at the OFF position.
2. Connect the wires to the TH and TPTH terminals of the Millivolt valve. See *Figure 2*.
3. **Installing the Remote Receiver to a Wall Mount:**
 - Secure the Remote Receiver to the wall mount.
 - Use the screws provided to secure the face Plate to the Remote Receiver. See *Figure 3*.

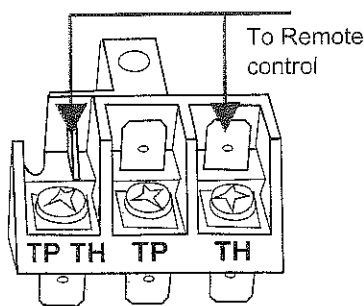


Figure 2

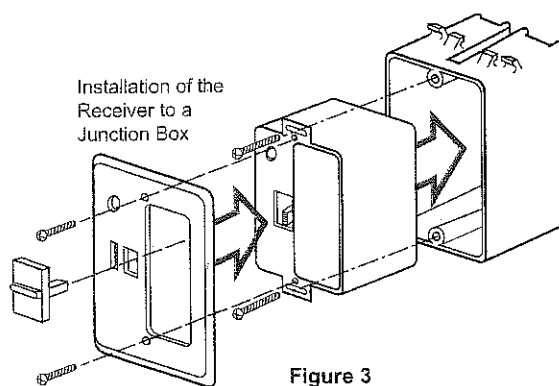


Figure 3

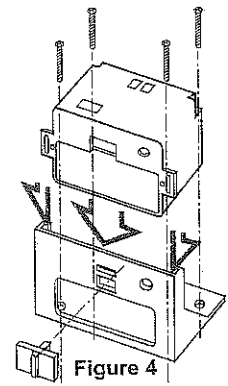
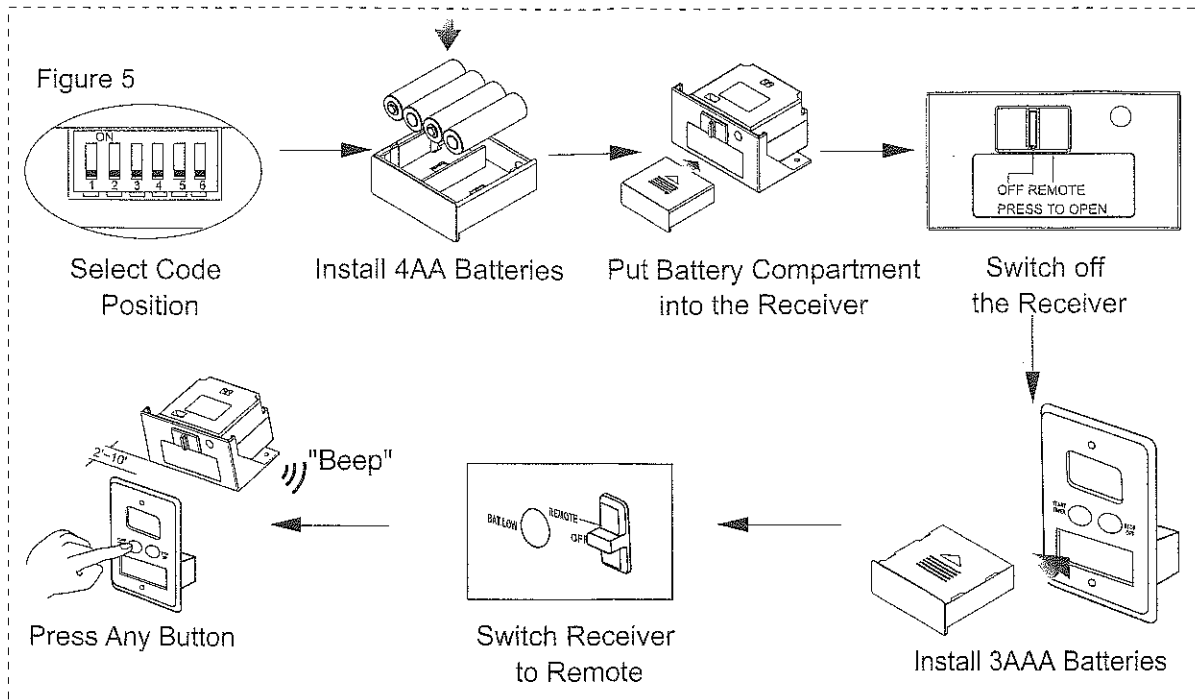


Figure 4

4. Installing the Remote Receiver to a Fireplace:

- Secure the Fireplace Mounting plate to the base pan of the fireplace.
- Slide the Remote Receiver into the fireplace mounting plate. See *Figure 4*.

5. Put the switch cap to the slide switch.
6. Slide the battery compartment into the Remote Receiver. See *Figure 5*.



RECEIVER OPERATION:

The Remote Receiver has 2 operation modes. They are OFF and Remote modes.

A. Off Mode

1. In the OFF mode the Receiver will **not respond to the wall mount transmitter.**
2. The Receiver will not respond to the Wall Mount Transmitter and turn the fireplace on and off.

B. Remote Mode

1. The Receiver will respond to the Wall Mount Transmitter and turn the fireplace on and off.

FCC Requirements

Warning: Changes or modifications to this unit not expressly approved by the party responsible for compliance could void the user authority to operate the equipment. This equipment has been tested and found to comply with the limits for a Class B digital device, pursuant to Part 15 of the FCC Rules. These limits are designed to provide reasonable protection against harmful interference in a residential installation. This equipment generates, uses, and can radiate radio frequency energy and, if not installed and used in accordance with the instructions, may cause harmful interference to radio communications. However, there is no guarantee that interference will not occur in a particular installation. If this equipment does cause harmful interference to radio or television reception, which can be determined by turning the equipment off and on, the user is encouraged to try to correct the interference by one or more of the following measures:

- Reorient or relocate the receiver antenna.
- Increase the separation between the equipment and receiver.
- Connect the equipment into an outlet on a circuit different from that to which the receiver is connected.
- Consult the dealer or an experienced radio TV technician for help.

Canadian Equipment Requirements

This digital apparatus does not exceed the (class A/Class B)* limits for radio noise emissions from digital apparatus set out in the Radio Interference Regulations of the Canadian Department of Communications. Le présent appareil numérique n'émet pas de bruits radioélectriques dépassant les limites applicables aux appareils numériques (de la class A/de la class B)* prescrites dans le Règlement sur le brouillage radioélectrique édicté par le ministère des Communications du Canada.

This device complies with RSS-210 of Industry and Science Canada. Operation is subject to the following two conditions: (1) this device may not cause interference, and (2) this device must accept any interference, including interference that may cause undesired operation of the device.

All wiring should be done by a qualified electrician and shall be in compliance with local codes and with the National Electric Code ANSI/NFPA No. 70-current (in the United States), or with the current CSA C22.1 Canadian Electric Code (in Canada).